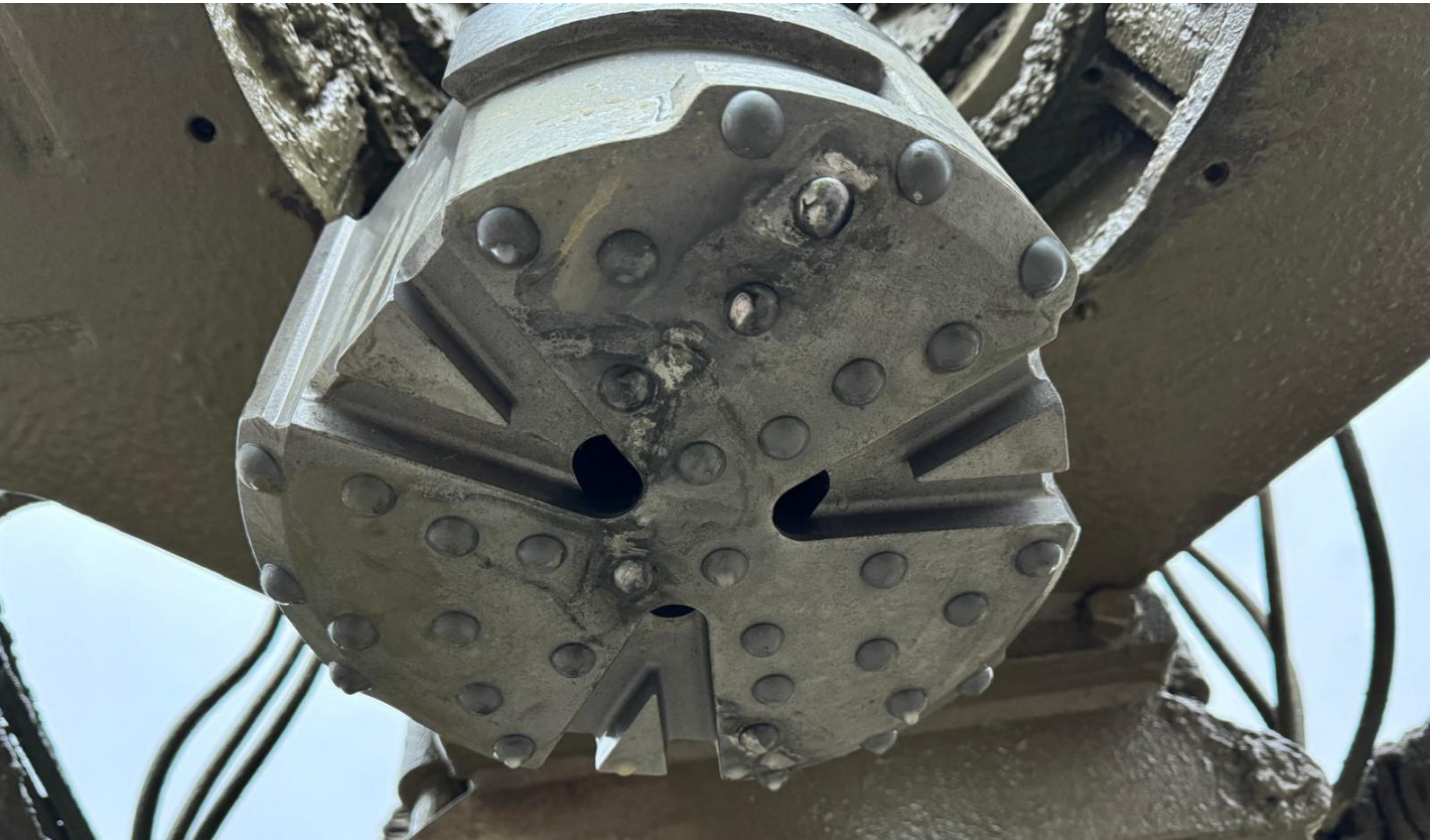


Casing Advancement Systems

Product catalogue and selection guide



Who we are

At RDT, we bring a fresh perspective with a team of seasoned professionals dedicated to make your drilling successful. We leverage the latest in technology and a commitment to agile development helping you to fulfill all targets and environmental requirements. Now and in the future. Our unique approach includes pioneering the first ever carbon-neutral drilling products, ensuring that we not only lead in innovation but also in sustainability. Join us at the forefront of progress and prosperity in drilling.



Our solutions

Explore our comprehensive CAS drilling solutions, tailored to meet a variety of applications where casing is essential. Whether you're delving into foundation drilling, erecting retaining walls, or navigating tunnel construction, our expertise ensures your projects stay on track and operations remain seamless.

From preserving hole integrity to leveraging casing strength for piling and foundation drilling, our solutions empower efficiency and productivity across the board. Let's elevate your drilling experience together.



Products, naming and the features

All RDT products are designed and manufactured in Finland with 97.5 % of the raw materials being acquired from Europe. Thus, RDT is #TheResponsibleChoice

CAS Product names

	Model	Nominal casing size	Max wall thickness	Ring bit or shoe ID	Additional information
A	140	5	115	TD40	PILOT
B	168	12.7	123	GR	RING BIT SET

Model families

A	Thin-walled Ring bit set	All conditions where thin wall is required
B	Thick-walled Ring bit set	Basic system for all purposes with thick casing wall
T	Pipe roofing	System specifically designed for pipe roofing applications
X	Heavy-duty Ring bit	Heavy-duty model, available as ring bit sets and separate ring bits
R	Retrievable	Applications where the casing needs to be retrieved from the hole

Additional information

Pilots

Shank type for DTH
Thread type for TH
DT Drill Through
SF Sensi-Flow

Ring bits

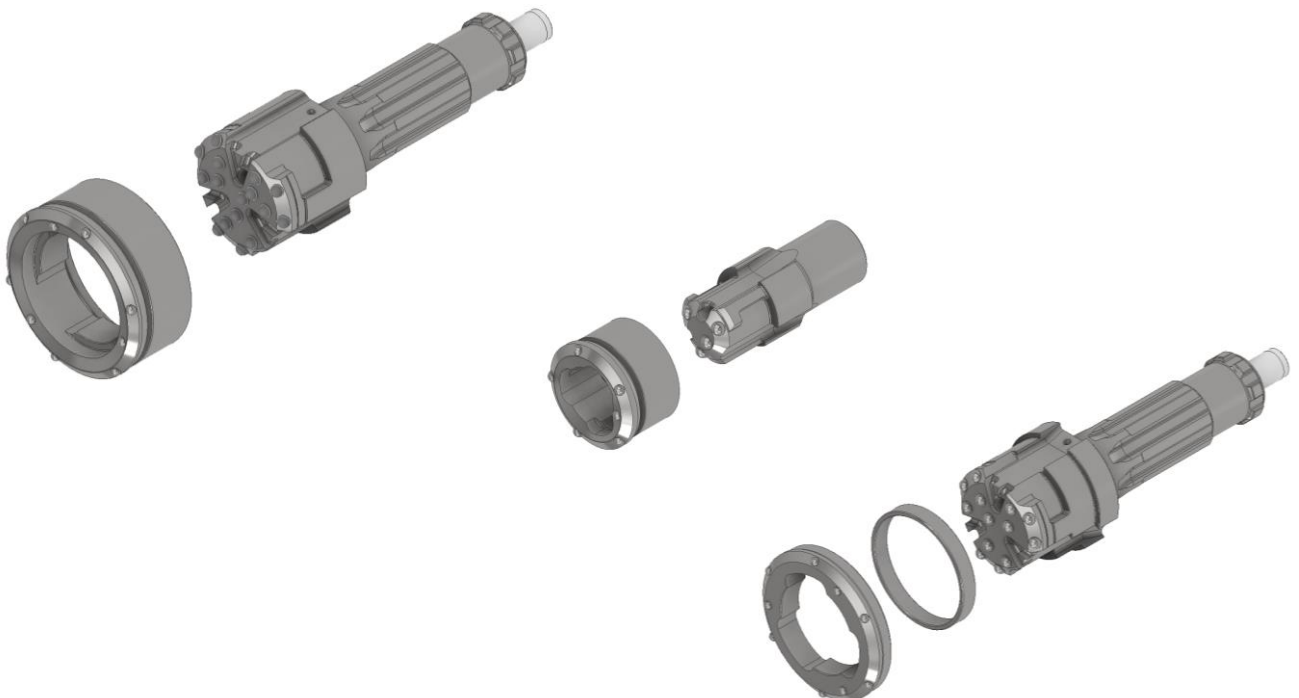
GR Greenline, carbon neutral product
EM EcoModel, for easy conditions
OD Oversize ring diameter, e.g., for RD-walls
RR Retrievable ring set
SR Separate Ring Bit



Modularity

Built-in feature

All products in the same model family are compatible together

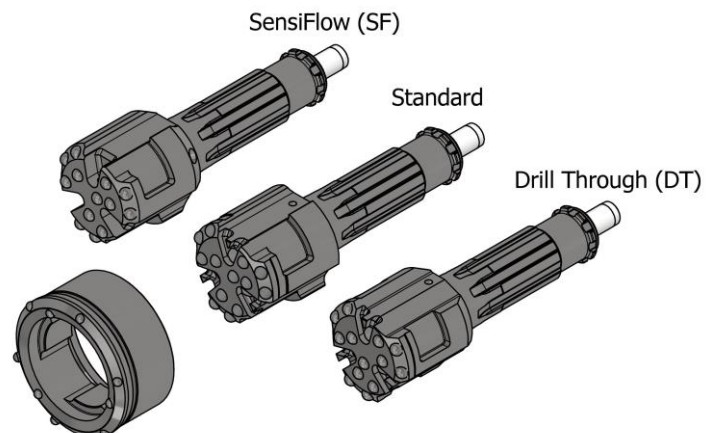


RDT Modularity



Innovative Modularity to make your choice easier.
Designed for ease of use and adaptability, our modular systems simplify operations and minimize inventory needs.

Unique property in the market. No need to change the system.
Operator can switch from standard pilot to SensiFlow or Drill Through pilot when needed without need to change the ring bit assembly.
Or utilize the same pilot already in place with GR, EM, RR ring bit sets when needed.



RDT EM-line



The EM-products

New EM-line covers all A and B models with 100% RDT modularity. It is best suited to shallow and easy holes to save resources where there is no need for heavy ring set. RDT systems are designed to be fully modular. EM-line ring sets are 100% compatible with standard pilot bits, so no new systems are needed. This makes your life easier by making product selection easy based on drilling site conditions.

In piling our EM versions have the same load bearing capacity as the standard ring set has and is thus 100% reliable. This is not always the case with economy and light models available on the markets.



- ✓ Saves valuable natural resources
- ✓ Optimized for easy conditions and/or shallow depths
- ✓ Reduced carbide and steel volumes
- ✓ 100% RDT modularity
- ✓ Full load bearing capacity as the standard B models
- ✓ #TheResponsibleChoice

RDT Greenline

The GR-products

First in the world, published to the public in March 2024, in Sweden. Our Greenline products boast 97% recycled content with significantly reduced CO2 emissions, setting a new standard in environmentally responsible drilling. Our versatile ring bits for foundation drilling fit various casing sizes, providing the perfect solution for all your sustainable drilling needs.



RDT Greenline product family is a pioneer in the market for the need we are facing. RDT Greenline aims to be completely CO2 emission free. The current level is already less than a tenth of a publicly available Nordic industry average value.

CO2 EMISSIONS OF A RING BIT SET

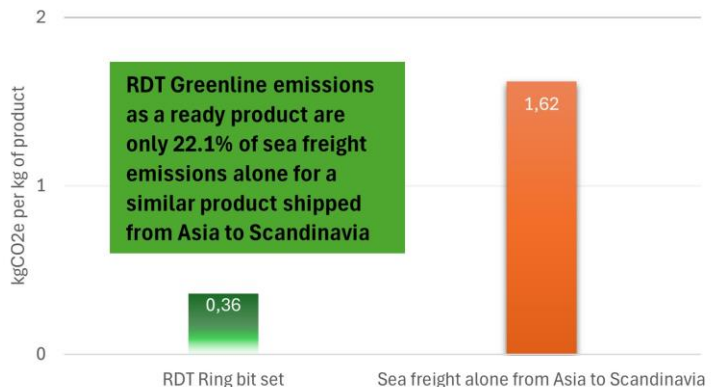


When talking about CO2 emissions of a product or its raw materials, emissions released during transportations can be remarkably high. Especially in overseas transportations.

It is also noteworthy that all RDT products are made in Europe and almost mostly from European raw materials.

RDT is #TheResponsibleChoice

CO2 EMISSIONS OF A RING BIT SET



Casing diameter 88,9 mm (3 1/2 ") – 139,7 mm (5 1/2 ")

Casing diameter 88,9 mm (3 1/2 ")

Model	Version	Product number	Pilot bit	Pilot OD	weight
T		20100036	T89-8-55-T38 PILOT	71	2,5

Version	Product number	Ring bit set	Casing thickness	Ring OD	Ring ID	weight
	20100035	T89-8-55-RING BIT SET	8	95	55	1,5

Casing diameter 101,6 mm (4 ")

Model	Version	Product number	Pilot bit	Pilot OD	weight
T		20100079	T102-8-65-T38 PILOT	84	3,8

Version	Product number	Ring bit set	Casing thickness	Ring OD	Ring ID	weight
	20100078	T102-8-65-RING BIT SET	8	108	65	2

Casing diameter 114,3 mm (4 1/2 ")

Model	Version	Product number	Pilot bit	Pilot OD	weight
B		20100009	B114-10-75-T38 PILOT	93	5,5
		20100054	B114-10-75-T45 PILOT	93	4,5
		20100010	B114-8-75-DHD3.5 PILOT	93	6,4
	SF	20100179	B114-8-75-SF-DHD3.5 PILOT	93	6,4
B	DT	20100067	B114-8-81-DT93-DHD3.5 PILOT	93	6,3
R		20100152	R114-10-81-DHD3.5 PILOT	92	7
		20100154	R114-10-81-R32 PILOT	92	4
		20100153	R114-10-81-T45 PILOT	92	4
T		20100006	T114-10-75-T38 PILOT	92	4,8
		20100053	T114-10-75-T45 PILOT	92	4,5
		20100007	T114-8-75-DHD3.5 PILOT	92	6
X		20100166	X114-10-66-DHD3.5 PILOT	93	5,8
		20100165	X114-10-66-T45 PILOT	93	4

Version	Product number	Ring bit set	Casing thickness	Ring OD	Ring ID	weight
	20100008	B114-10-75-RING BIT SET	10	129	76	2,9
GR	20100082	B114-10-75-GR-RING BIT SET	10	129	76	2,9
EM	20100190	B114-10-75-EM-RING BIT SET	10	129	76	2,6
DT	20100066	B114-8-81-DT93-RING BIT SET	8	129	81	2,8
	20100151	R114-10-81-RING BIT SET	10	122	82	5,3
	20100005	T114-10-75-RING BIT SET	10	119	75	2,4
	20100167	X114-10-66-RING BIT SET	10	125	68	2,2
GR	20100168	X114-10-66-GR-RING BIT SET	10	125	68	2,2
	20100169	X114-10-66-SR-RING BIT	10	125	68	1,4
SR	20100170	X114-10-66-SR-CASING SHOE	10	93,4	84	0,2

Casing diameter 127,0 mm (5 ")

Model	Version	Product number	Pilot bit	Pilot OD	weight
T		20100081	T127-10-86-DHD3.5	105	7,6

Version	Product number	Ring bit set	Casing thickness	Ring OD	Ring ID	weight
	20100080	T127-10-86-RING BIT SET	10	135	90	2,8

Casing diameter 139,7 mm (5 1/2 ")

Model	Version	Product number	Pilot bit	Pilot OD	weight
A		20100002	A140-5-115-TD40 PILOT	126	12
		20100032	A140-5-115-DHD340 PILOT	126	12
		20100063	A140-5-115-SF-TD40 PILOT	126	12
	SF	20100064	A140-5-115-SF-DHD340 PILOT	126	11
B		20100004	B140-10-100-DHD340 PILOT	116	10
	DT	20100060	B140-10-100-DT117-DHD340 PILOT	117	10
	SF	20100068	B140-10-100-SF-DHD340 PILOT	117	10
X		20100077	X140-10-85-DHD340 PILOT	117	9,7

Version	Product number	Ring bit set	Casing thickness	Ring OD	Ring ID	weight
	20100001	A140-5-115-RING BIT SET	5	160	116	3,8
EM	20100182	A140-5-115-EM-RING BIT SET	5	160	116	3,4
OD	20100058	A140-5-115-OD180-RING BIT SET	5	180	116	4,6
	20100003	B140-10-100-RING BIT SET	10	160	100	4,6
GR	20100083	B140-10-100-GR-RING BIT SET	10	160	100	4,6
EM	20100186	B140-10-100-EM-RING BIT SET	10	160	100	4,2
	20100076	X140-10-85-RING BIT SET	10	150	87	2,8
GR	20100171	X140-10-85-GR-RING BIT SET	10	150	87	2,8
	20100138	X140-10-85-SR-RING BIT	10	150	87	2
SR	20100139	X140-10-85-SR-CASING SHOE	10	118	109	0,2

Casing diameter 168,3 mm (6 5/8 ") – 273,0 mm (10 3/4 ")

Casing diameter 168,3 mm (6 5/8 ")

Model	Version	Product number	Pilot bit	Pilot OD	weight
A		20100012	A168-5.5-140-DHD350 PILOT	152	21
		20100013	A168-5.5-140-QL50 PILOT	152	21
	SF	20100065	A168-5.5-140-SF-DHD350 PILOT	152	21
B		20100015	B168-12.7-123-DHD350 PILOT	139	19
		20100016	B168-12.7-123-QL50 PILOT	139	19
	DT	20100061	B168-12.7-123-DT139-DHD350 PILOT	139	18
		20100132	B168-12.7-123-DT139-W350 PILOT	139	18
X		20100146	X168-12.7-110-DHD350 PILOT	140	18

Version	Product number	Ring bit set	Casing thickness	Ring OD	Ring ID	weight
	20100011	A168-5.5-140-RING BIT SET	5,5	190	141	5,4
EM	20100195	A168-5.5-140-EM-RING BIT SET	5,5	190	141	4,8
OD	20100059	A168-5.5-140-OD210-RING BIT SET	5,5	210	141	6,4
	20100014	B168-12.7-123-RING BIT SET	12,7	190	123	6,6
GR	20100087	B168-12.7-123-GR-RING BIT SET	12,7	190	123	6,6
EM	20100181	B168-12.7-123-EM-RING BIT SET	12,7	180	123	6
RR	20100131	B168-12.7-123-RR-RING BIT SET	12,7	178	123	6,6
	20100147	X168-12.7-110-RING BIT SET	12,7	179	110	2,8
GR	20100172	X168-12.7-110-GR-RING BIT SET	12,7	179	110	2,8
	20100148	X168-12.7-110-SR-RING BIT	12,7	179	110	2,7
SR	20100149	X168-12.7-110-SR-CASING SHOE	12,7	142	130	0,4

Casing diameter 193,7 mm (7 5/8 ")

Model	Version	Product number	Pilot bit	Pilot OD	weight
A		20100018	A194-5.5-165-DHD360 PILOT	179	33
		20100019	A194-5.5-165-QL60 PILOT	179	33

Version	Product number	Ring bit set	Casing thickness	Ring OD	Ring ID	weight
	20100017	A194-5.5-165-RING BIT SET	5,5	219	167	6,6
EM	20100196	A194-6-167-EM-RING BIT SET	5,5	219	167	6

Casing diameter 219,1 mm (8 5/8 ")

Model	Version	Product number	Pilot bit	Pilot OD	weight
A		20100039	A219-6,5-190-DHD360 PILOT	202	41
B		20100024	B219-12,7-172-DHD360 PILOT	190	38
		20100025	B219-12,7-172-QL60 PILOT	190	37
	DT	20100062	B219-12,7-172-DT190-DHD360 PILOT	190	36
X		20100047	X219-12,7-172-DHD360 PILOT	190	35

Version	Product number	Ring bit set	Casing thickness	Ring OD	Ring ID	weight
	20100038	A219-6,5-190-RING BIT SET	6,5	246	190	8,4
EM	20100197	A219-6,5-190-EM-RING BIT SET	6,5	246	190	7,6
	20100023	B219-12,7-172-RING BIT SET	12,7	246	172	10
GR	20100088	B219-12,7-172-GR-RING BIT SET	12,7	246	172	10
EM	20100192	B219-12,7-172-EM-RING BIT SET	12,7	246	172	9
OD	20100055	B219-12,7-172-OD279-RING BIT SET	12,7	279	172	13
RR	20100150	B219-12,7-172-RR-RING BIT SET	12,7	234	172	11
	20100155	X219-12,7-160-RING BIT SET	12,7	230	158	6,3
GR	20100173	X219-12,7-160-GR-RING BIT SET	12,7	230	158	6,3
	20100161	X219-12,7-160-SR-RING BIT	12,7	230	158	4,2
SR	20100162	X219-12,7-160-SR-CASING SHOE	12,7	230	158	0,6

Casing diameter 273,0 mm (10 3/4 ")

Model	Version	Product number	Pilot bit	Pilot OD	weight
A		20100041	A273-8-240-DHD380 PILOT	254	78
B		20100027	B273-12,7-226-DHD380 PILOT	245	74
		20100028	B273-12,7-226-QL80 PILOT	245	74
	DT	20100187	B273-12,7-226-DT245-DHD380 PILOT	245	73
X		20100048	X273-12,7-226-DHD380 PILOT	242	68

Version	Product number	Ring bit set	Casing thickness	Ring OD	Ring ID	weight
	20100040	A273-8-240-RING BIT SET	8	302	240	13
EM	20100198	A273-8-240-EM-RING BIT SET	8	302	240	11
	20100026	B273-12,7-226-RING BIT SET	12,7	302	229	14
GR	20100089	B273-12,7-226-GR-RING BIT SET	12,7	302	229	14
EM	20100193	B273-12,7-226-EM-RING BIT SET	12,7	302	229	13
OD	20100056	B273-12,7-226-OD330-RING BIT SET	12,7	333	229	18
RR	20100133	B273-12,7-226-RR-RING BIT SET	12,7	219	229	15
	20100157	X273-12,7-202-RING BIT SET	12,7	286	203	13
GR	20100174	X273-12,7-202-GR-RING BIT SET	12,7	286	203	13
OD	20100045	X273-12,7-226-OD330-RING BIT SET	12,7	333	203	18
	20100159	X273-12,7-202-SR-RING BIT	12,7	286	203	6,4
SR	20100160	X273-12,7-202-SR-CASING SHOE	12,7	244	230	1,2

Casing diameter 323,9 mm (12 3/4 ") – 508,0 mm (20 ")

Casing diameter 323,9 mm (12 3/4 ")

Model	Version	Product number	Pilot bit	Pilot OD	weight
A		20100043	A324-10-282-DHD380 PILOT	297	98
B		20100030	B324-12,7-273-DHD380 PILOT	292	95
		20100031	B324-12,7-273-QL80 PILOT	292	95
	DT	20100188	B324-12,7-275-DT292-DHD380 PILOT	292	95
X		20100049	X324-12,7-254-DHD380 PILOT	292	90

Version	Product number	Ring bit set	Casing thickness	Ring OD	Ring ID	weight
	20100042	A324-10-282-RING BIT SET	10	352	282	17
	20100029	B324-12,7-275-RING BIT SET	12,7	352	275	18
GR	20100090	B324-12,7-275-GR-RING BIT SET	12,7	352	275	18
EM	20100194	B324-12,7-275-EM-RING BIT SET	12,7	352	275	16
OD	20100057	B324-12,7-273-OD383-RING BIT SET	12,7	383	275	21
RR	20100134	B324-12,7-275-RR-RING BIT SET	12,7	343	275	19
	20100140	X324-12,7-254-RING BIT SET	12,7	336	254	15
GR	20100175	X324-12,7-254-GR-RING BIT SET	12,7	336	254	15
OD	20100046	X324-12,7-254-OD382-RING BIT SET	12,7	383	254	22
	20100156	X324-12,7-254-SR-OD383-RING BIT	12,7	383	254	14
SR	20100141	X324-12,7-254-SR-RING BIT	12,7	336	254	7,7
	20100142	X324-12,7-254-SR-CASING SHOE	12,7	294	280	1,5

Casing diameter 406,4 mm (16 ")

Model	Version	Product number	Pilot bit	Pilot OD	weight
B		20100071	B406-12,7-356-QL120 PILOT	375	226
X		20100189	X406-12,7-338-N125 PILOT	370	225
		20100106	X406-12,7-338-QL120 PILOT	370	225

Version	Product number	Ring bit set	Casing thickness	Ring OD	Ring ID	weight
	20100070	B406-12,7-356-RING BIT SET	12,7	438	356	26
	20100104	X406-12,7-338-RING BIT SET	12,7	419	336	19
GR	20100105	X406-12,7-338-GR-RING BIT SET	12,7	419	336	19
OD	20100178	X406-12,7-338-OD466-RING BIT SET	12,7	466	336	22
SR	20100199	X406-12,7-338-SR-RING BIT	12,7	419	336	9
	20100200	X406-12,7-338-SR-CASING SHOE	12,7	377	361	2

Casing diameter 508,0 mm (20 ")

Model	Version	Product number	Pilot bit	Pilot OD	weight
X		20100109	X508-16-432-N125 PILOT	454	332

Version	Product number	Ring bit set	Casing thickness	Ring OD	Ring ID	weight
	20100107	X508-16-432-RING BIT SET	16	518	432	26
GR	20100108	X508-16-432-GR-RING BIT SET	16	518	432	26
SR	20100163	X508-16-432-SR-RING BIT	16	518	432	14
	20100164	X508-16-432-SR-CASING SHOE	16	472	456	3

The product listing above is not at all exhaustive.
 What ever your need is, we are here to serve you.
 Please contact us and let's solve challenges together!

RDT is #TheResponsibleChoice

Sales contacts

Sweden, Norway and Denmark



Stefan Norberg

✉ stefan.norberg@rdtech.fi

☎ +46 727 411483

🗣️ English, Swedish



Henrik Westberg

✉ henrik.westberg@rdtech.fi

☎ +46 705 666378

🗣️ English, Swedish



Viktor Öberg

✉ viktor.oberg@rdtech.fi

☎ +46 722 210216

🗣️ English, Swedish

Finland and the Baltics



Jani Ruiz

✉ jani.ruiz@rdtech.fi

☎ +358 40 5595798

🗣️ English, Finnish, Swedish,
Spanish



Oskari Sivula

✉ oskari.sivula@rdtech.fi

☎ +358 40 9104117

🗣️ English, Finnish

You can find more info and background from our web pages: rdtech.fi
We are also in LinkedIn, Instagram and YouTube: RDT drilling



Contacts and more info in our website: rdtech.fi

Catalog 2024 September

RDT Solutions Oy
Hämeenkatu 26 A
33200 Tampere, Finland

RDT Sweden AB
Ringögatan 5
417 07 Göteborg, Sverige

