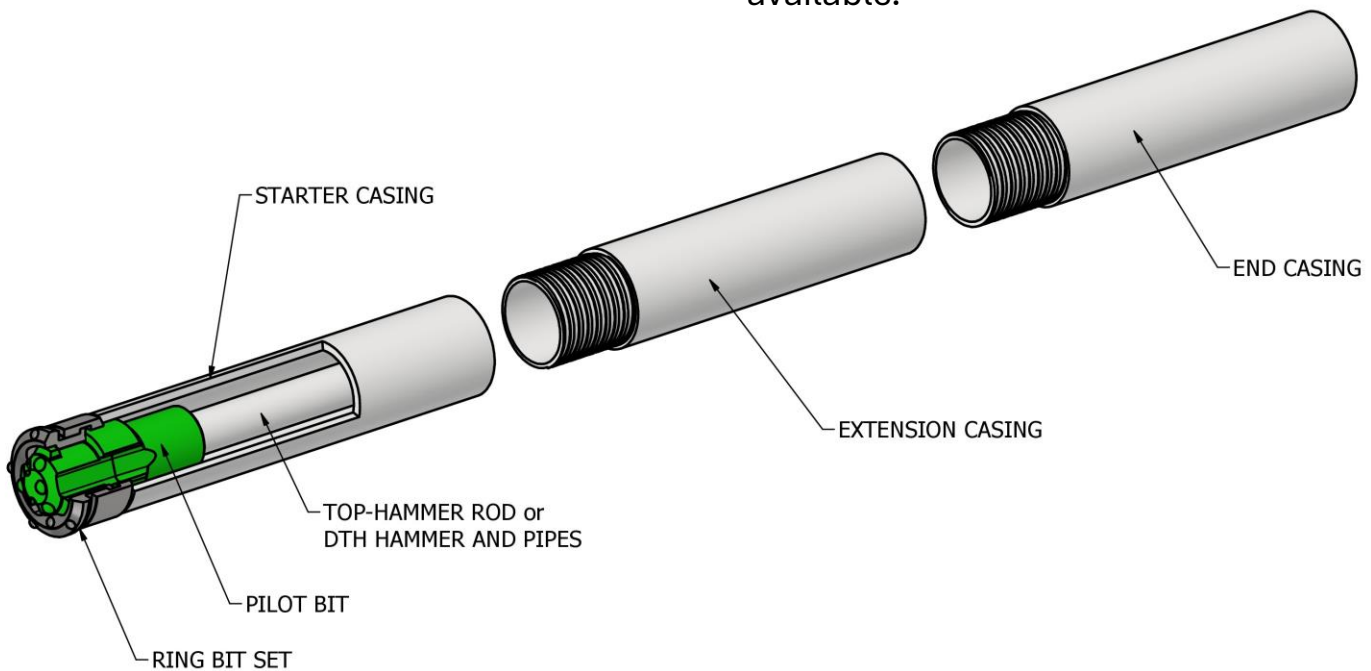


Forepoling products



RDT forepoling products, both TH and DTH versions, are specialized for tunnel applications where tubes/casings are drilled to support tunnel roof and walls. It has excellent penetration to all rock and soil types, and pilot bit is easy to connect to ring bit and remove it. RDT forepoling ring sets can be also supplied as ready drillable elements, i.e., welded onto casings. Extension and end casings are also available.



On top of the tunnel applications, Model T is also suitable for many other casing drilling works like small anchor drilling, micro piling and drainage holes. Everyplace where small diameter casings are used.

All RDT ring bit sets and pilot bits are Made In Finland and all steels are acquired from European steel mills.

Model T

Casing diameter 88,9 mm (3 ½ ")

Model	Version	Product number	Pilot bit	Pilot OD	weight	Version	Product number	Ring bit set	Casing thickness	Ring OD	Ring ID	weight
T		20100036	T89-8-55-T38 PILOT	71	2,5		20100035	T89-8-55-RING BIT SET	8	95	55	1,5

Casing diameter 101,6 mm (4 ")

Model	Version	Product number	Pilot bit	Pilot OD	weight	Version	Product number	Ring bit set	Casing thickness	Ring OD	Ring ID	weight
T		20100079	T102-8-65-T38 PILOT	84	3,8		20100078	T102-8-65-RING BIT SET	8	108	65	2

Casing diameter 114,3 mm (4 ½ ")

Model	Version	Product number	Pilot bit	Pilot OD	weight	Version	Product number	Ring bit set	Casing thickness	Ring OD	Ring ID	weight
T		20100006	T114-10-75-T38 PILOT	92	4,8	TH	20100005	T114-10-75-TH-RING BIT SET	10	119	75	2,4
		20100053	T114-10-75-T45 PILOT	92	4,5							
T		20100007	T114-8-75-DHD3.5 PILOT	92	6	DTH	20100224	T114-8-75-DTH-RING BIT SET	8	119	75	2,4

From casing size 139,7 up we recommend using our B model for forepoling application. It is also possible to design specific tool based on customer requirements. Please contact our sales representatives for more information.

Contacts and more info in our website: rdtech.fi
RDT is #TheResponsibleChoice

Casing diameter 139,7 mm (5 ½ ")

Model	Version	Product number	Pilot bit	Pilot OD	weight	Version	Product number	Ring bit set	Casing thickness	Ring OD	Ring ID	weight
B		20100034	B140-10-100-T45 PILOT	116	8,7		20100003	B140-10-100-RING BIT SET	10	160	100	4,6
		20100004	B140-10-100-DHD340 PILOT	116	10							
	DT	20100060	B140-10-100-DT117-DHD340 PILOT	117	10	GR	20100083	B140-10-100-GR-RING BIT SET	10	160	100	4,6
	SF	20100068	B140-10-100-SF-DHD340 PILOT	117	10	EM	20100186	B140-10-100-EM-RING BIT SET	10	160	100	4,2